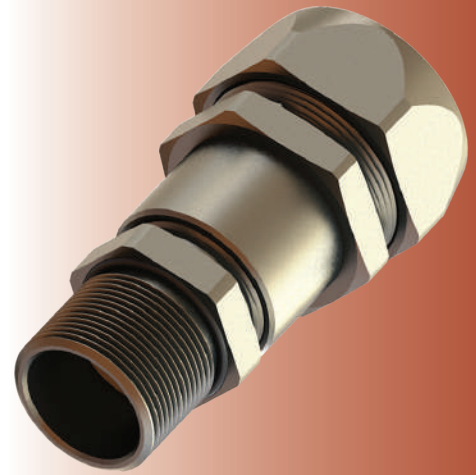


Fittings for Flexible Conduits for Non-armoured Cables

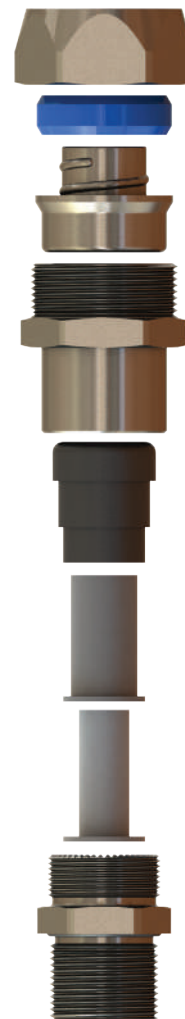
E-HYDRUS



Technical Details		
Body, Cap	Brass, Brass Nickel Plated, Stainless Steel 316L	
Seal	CR (Chloroprene), Silicone	
Material	Ferrule Steel Zinc Plated, Brass Nickel Plated	
	Plastic Ring Polyamide	
	O-ring CR (Chloroprene), Silicone	
Ingress Protection Rating	IP 68 - 5 Bar, 30 min IP 66	
Operating Temperature	Seal Material	
	CR (Chloroprene)	
Ex d/tb	-40°C to +80°C	Silicone
Ex e/tb	-40°C to +80°C	-60°C to +80°C
		-60°C to +140°C
Equipment For	Gas & Dust potentially explosive atmospheres	
Suitable for use in	Group II Gas Group IIC ZONE1/ZONE2 Group III Dust Group IIC ZONE21/ZONE 22	
Equipment Marking	Ex II 2GD Ex db IIC Gb Ex eb IIC Gb Ex tb IIC Db	
Marking Example *	BMD EBLs.. CE 0722 II 2GD Ex db IIC Gb Ex eb IIC Gb Ex tb IIC Db Ta-40°C +80°C IP66/68 CESI 13 ATEX 018X IECEx CES 13.0006X	
Thread Type	<ul style="list-style-type: none"> • Metric (M) ISO Pitch 1,5 • NPT (N) ANSI ASME B1.20.1 • Other thread types also available upon request. 	
Cable Type	Non Armoured	
Accessories	<ul style="list-style-type: none"> • Lock nuts • Gaskets (Washers) • Serrated Washers • Earth tags 	
Remarks	<ul style="list-style-type: none"> • Accessories must be ordered separately. • O-ring available in Metric outer threads. 	
Approvals	Certificate Number	Standards
	IMQ 13 ATEX 018X	EN 60079-0:2012+A11:2013 EN 60079-7:2015 EN 60079-31:2014 EN 60079-1:2014
	IECEx IMQ 13.0006X	IEC 60079-0:2011 Edition:6 IEC 60079-7:2015 Edition:5 IEC 60079-31:2013 Edition:2 IEC 60079-1:2014 Edition:7
	№ TC RU C-TR.AA87.B.00941	ГОСТ 31610.0-2014 ГОСТ IEC 60079-1:2013 ГОСТ IEC 60079-31:2013
	DNV 12.0052 X	ABNT NBR IEC 60079-0:2013 ABNT NBR IEC 60079-1:2009 ABNT NBR IEC 60079-7:2008 ABNT NBR IEC 60079-31:2011
	E-14044	IEC/EN60079-0 IEC/EN60079-7 IEC/EN60079-31 IEC/EN60079-1 IEC/EN 62444

-For more information see our webpage.

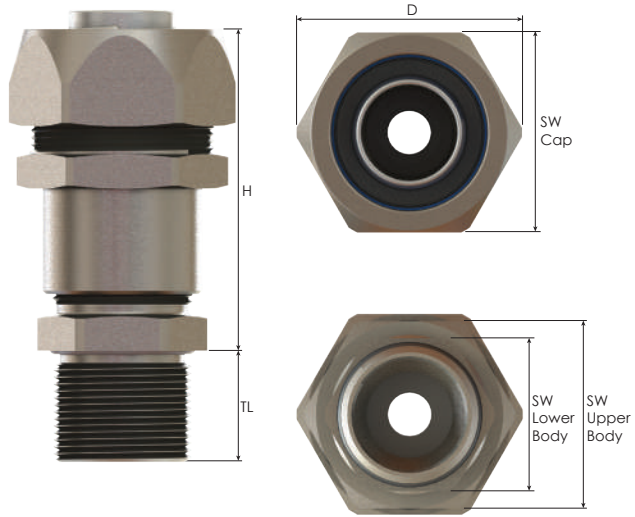
* The standard marking consists ATEX & IECEx only. Marking acc. to other standards on request.



Order Coding							
Part Number	Material	Seal	Gasket (Washer)	Serrated Washer	Lock Nut	Earth Tag	for Ex e
See table	Mandatory	Mandatory	- Option	Option	Option	Option	Option
	B Brass	C Chloroprene	- WC Chloroprene	WSR Serrated washer	L Lock nut	E Earth tag	TL9
	BN Brass Nickel plated	S Silicone	WS Silicone				
	X Stainless steel 316L		WF Fiber				
Example							
EBLS01M	BN	S	- WC	-	L	E	TL9

E-HYDRUS

Fittings for Flexible Conduits for Non-armoured Cables



Thread Type METRIC acc. to ISO 965-3

Outer Thread Size (Male)	For Seal/Title Nominal Size	Clamping Range		Outer Thread Length		Cap	Spanner Width		Outer Ø	max. Height	Part Number
		Ø min-max mm	Seal Type	Ex - e min.	Ex-d/e min.		Upper Body	Lower Body			
				TL mm		SW Cap mm	SW Upper Body mm	SW Lower Body mm	D mm	H mm	
M12x1,5	1/2 "	4,0 - 8,0	Triple	9,0	16,0	29	27	22	32,7	57,0	*EBLS02M
M16x1,5	1/2 "	4,0 - 12,0	Triple	9,0	16,0	29	27	22	32,7	57,0	EBLS01M
M20x1,5	3/8 "	4,0 - 10,0	Triple	9,0	16,0	26	24	22	29,0	50,5	EBLS1SM
	1/2 "	4,0 - 12,0	Triple	9,0	16,0	29	27	22	32,7	53,0	EBLS1M
M25x1,5	3/4 "	10,0 - 18,0	Triple	9,0	16,0	35	33	28	39,0	56,0	EBLS2M
M32x1,5	1 "	14,0 - 24,0	Triple	9,0	16,0	45	43	35	50,0	64,0	EBLS3M
M40x1,5	1 1/4 "	22,0 - 32,0	Triple	9,0	18,0	54	52	45	60,0	75,0	EBLS4M
M50x1,5	1 1/2 "	26,0 - 35,0	Triple	9,0	18,0	63	60	55	69,3	81,5	EBLS5M

Thread Type NPT acc. to ANSI ASME B1.20.1

Outer Thread Size (Male)	For Seal/Title Nominal Size	Clamping Range		Outer Thread Length		Cap	Spanner Width		Outer Ø	max. Height	Part Number
		Ø min-max mm	Seal Type	TL mm			Upper Body	Lower Body			
				TL mm		SW Cap mm	SW Upper Body mm	SW Lower Body mm	D mm	H mm	
NPT 1/4"	1/2 "	4,0 - 8,0	Triple	16,0		29	27	22	32,7	57,0	*EBLS02N
NPT 3/8"	1/2 "	4,0 - 12,0	Triple	16,0		29	27	22	32,7	57,0	EBLS01N
NPT 1/2"	3/8 "	4,0 - 10,0	Triple	16,0		26	24	22	29,0	50,5	EBLS1SN
	1/2 "	4,0 - 12,0	Triple	16,0		29	27	22	32,7	53,0	EBLS1N
NPT 3/4"	3/4 "	10,0 - 18,0	Triple	16,0		35	33	28	39,0	55,5	EBLS2N
NPT 1"	1 "	14,0 - 24,0	Triple	20,0		45	43	35	50,0	64,0	EBLS3N
NPT 1 1/4"	1 1/4 "	22,0 - 32,0	Triple	20,0		54	52	45	60,0	75,0	EBLS4N
NPT 1 1/2"	1 1/2 "	26,0 - 35,0	Triple	20,0		63	60	55	69,3	81,5	EBLS5N